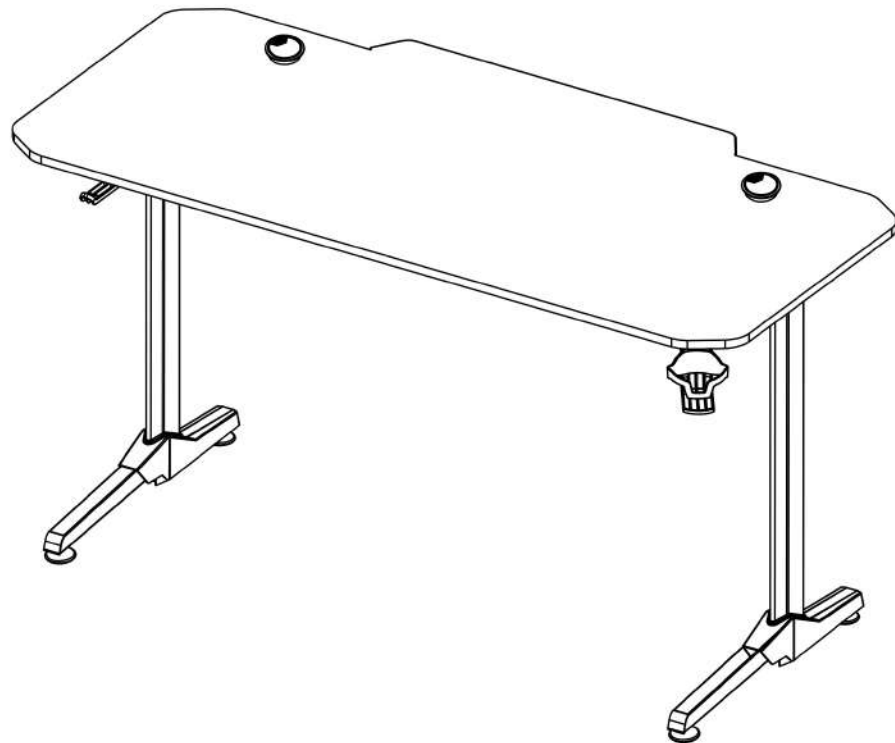




ULTRADESK[®] FRAG



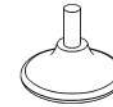
S1 x16



S2 x2



S3 x36



S4 x4



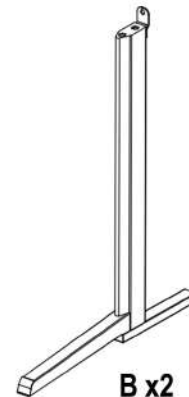
S5 x2



S6 x1



S7 x1



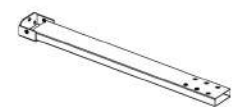
B x2



A x2



C x1



D x1



E x1



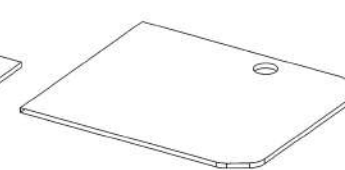
F1 x1



F2 x1



G x1



H x1



J x1



K x1



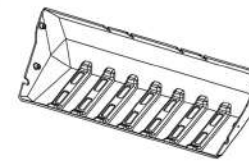
L1 x1



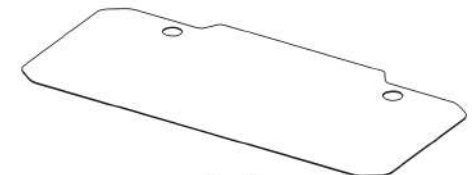
L2 x1



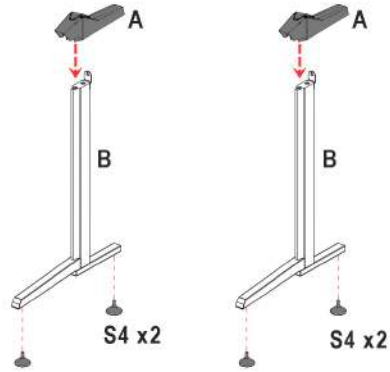
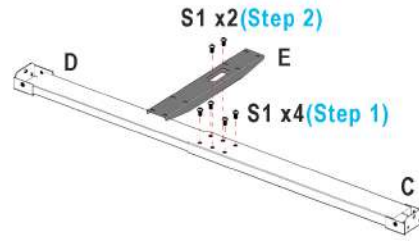
I x1



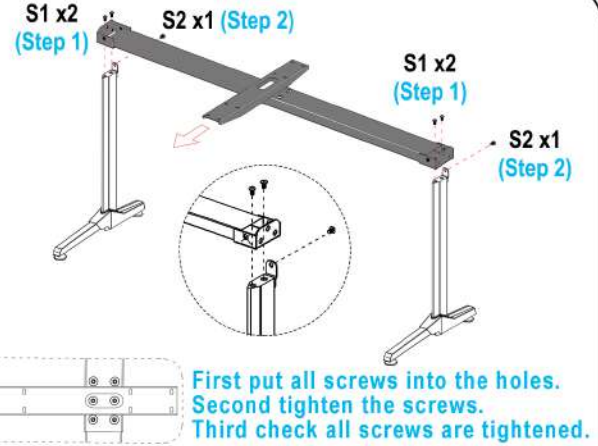
M x1



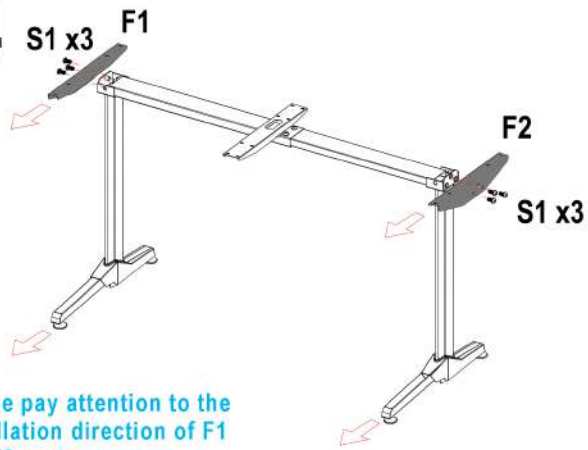
N x1

1**2**

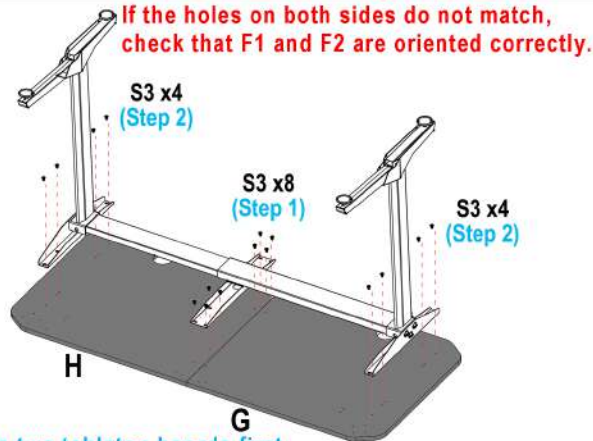
! Please make sure E part is perpendicular to C-D part.

3

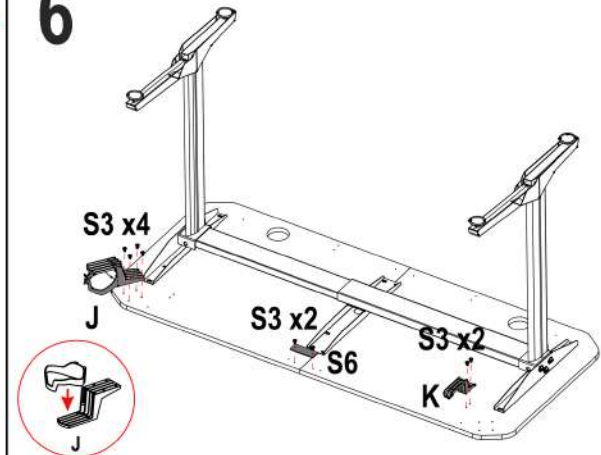
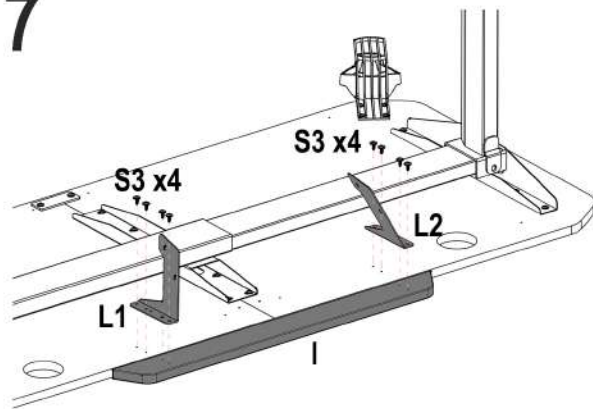
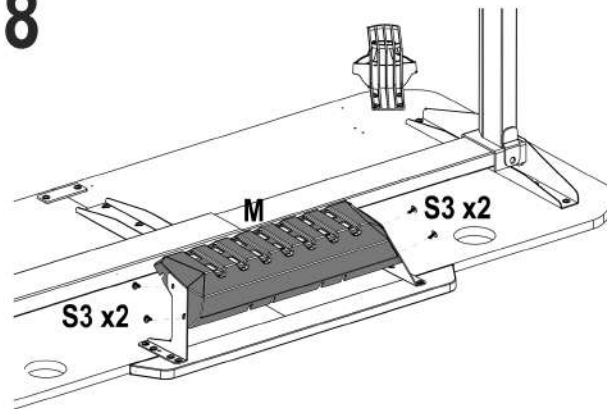
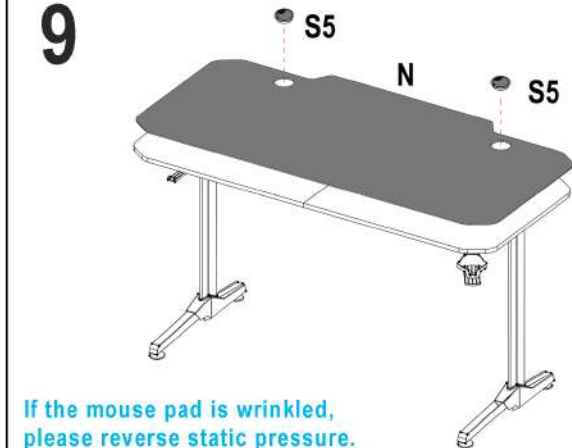
First put all screws into the holes. Second tighten the screws. Third check all screws are tightened.

4

Please pay attention to the installation direction of F1 and F2 parts.

5

Align the two tabletop boards first. Match the screw holes on the shelf with tabletop.

6**7****8****9**

If the mouse pad is wrinkled, please reverse static pressure.