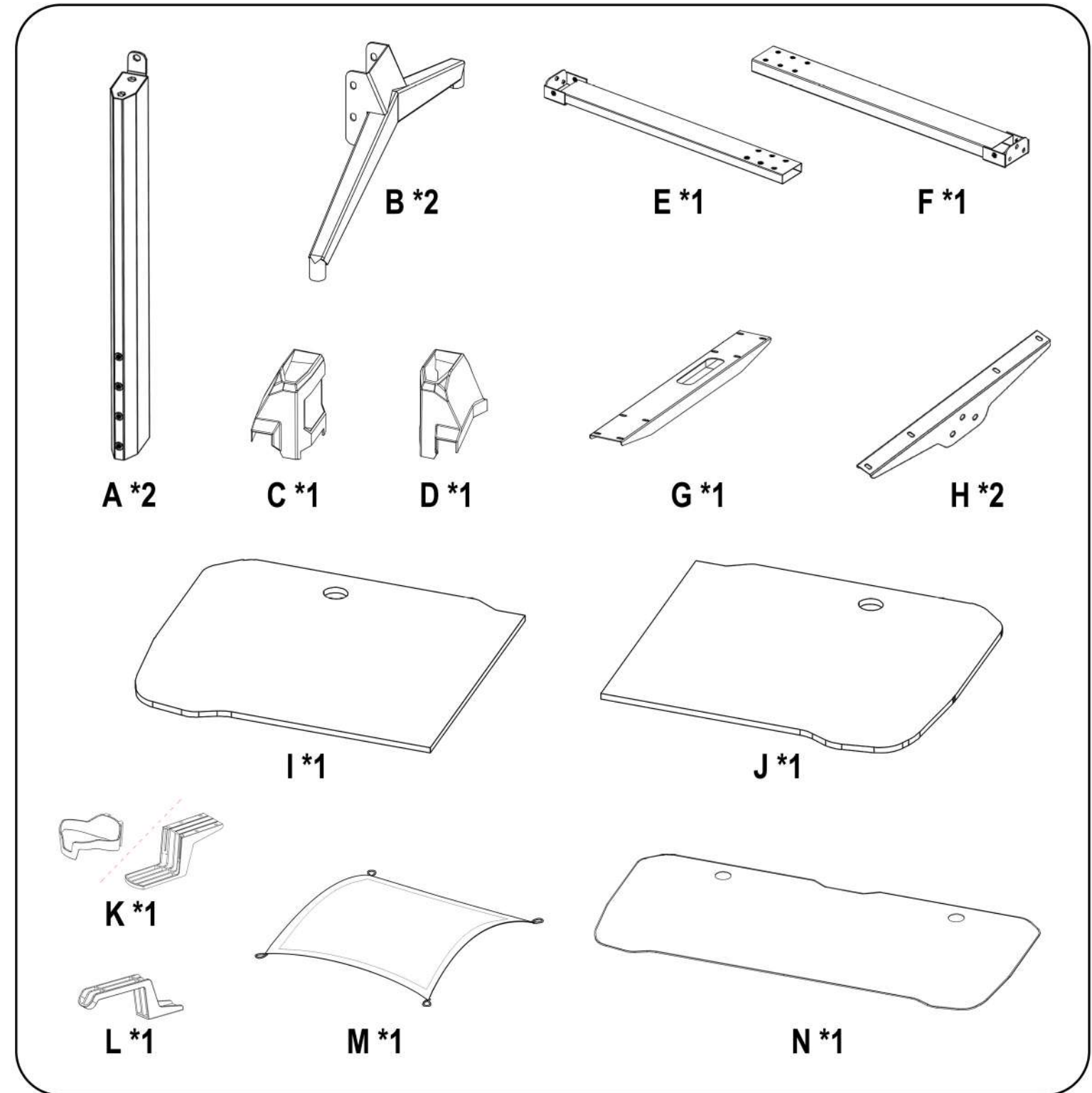
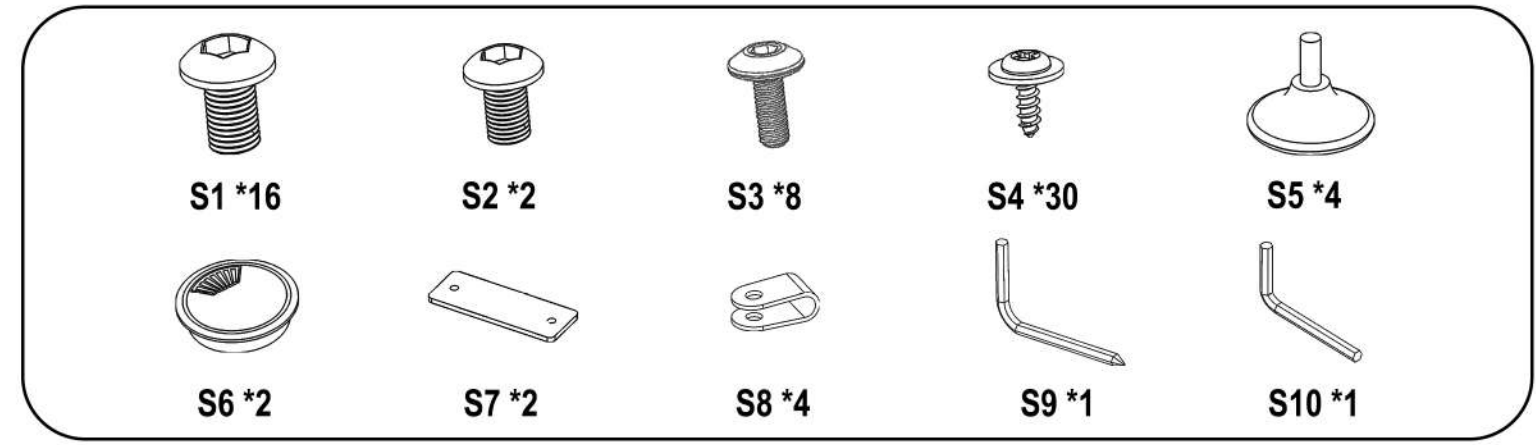
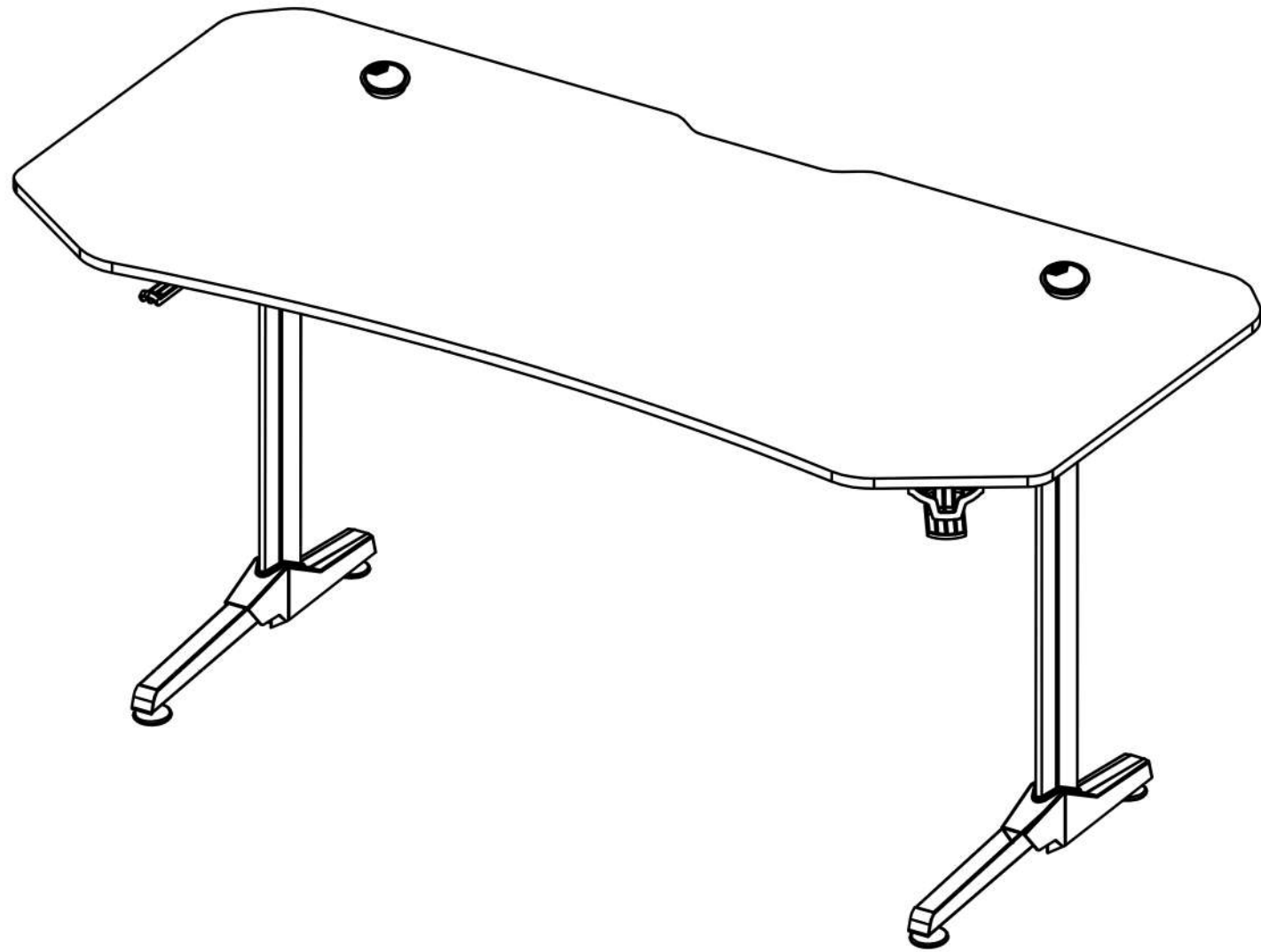
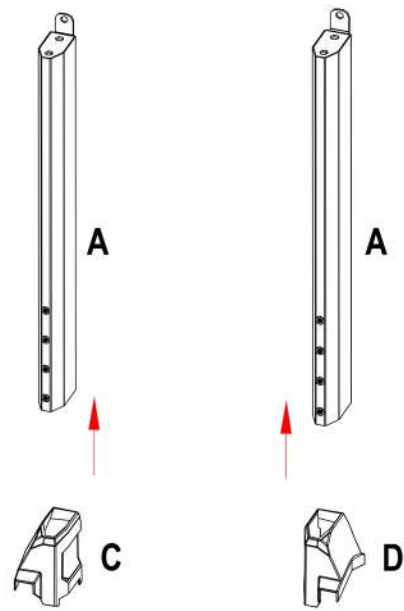


ULTRADESK[®]

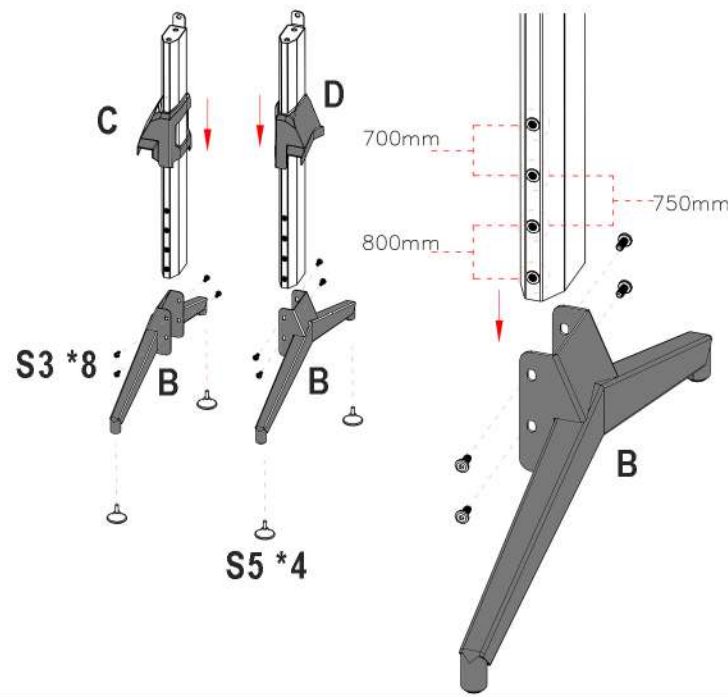
FRAG XXL



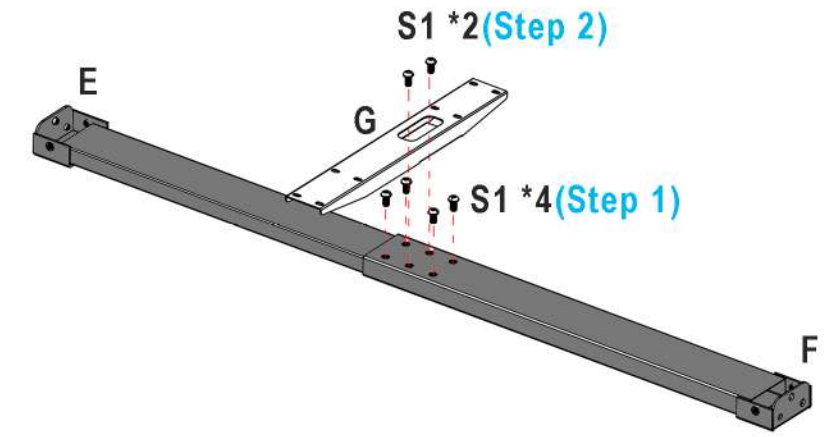
1



2

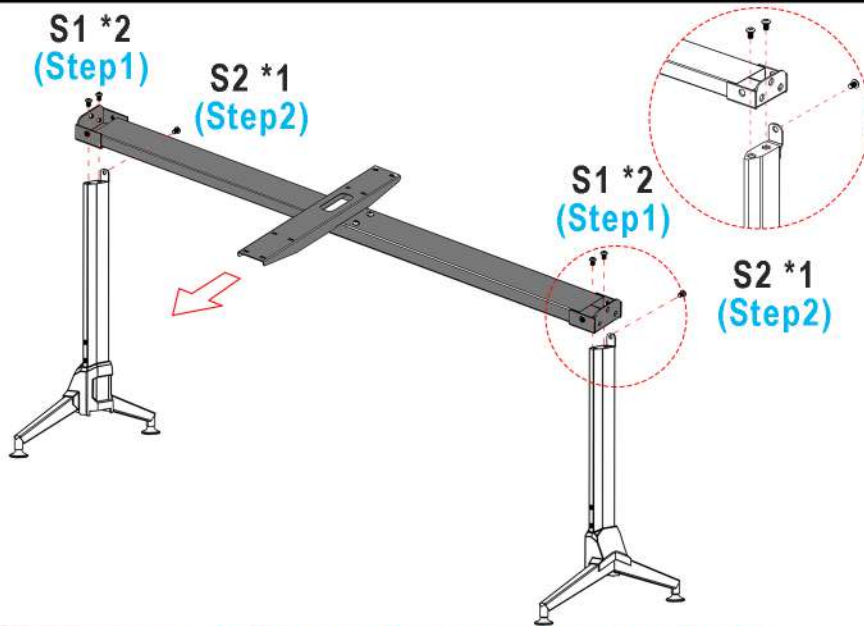


3



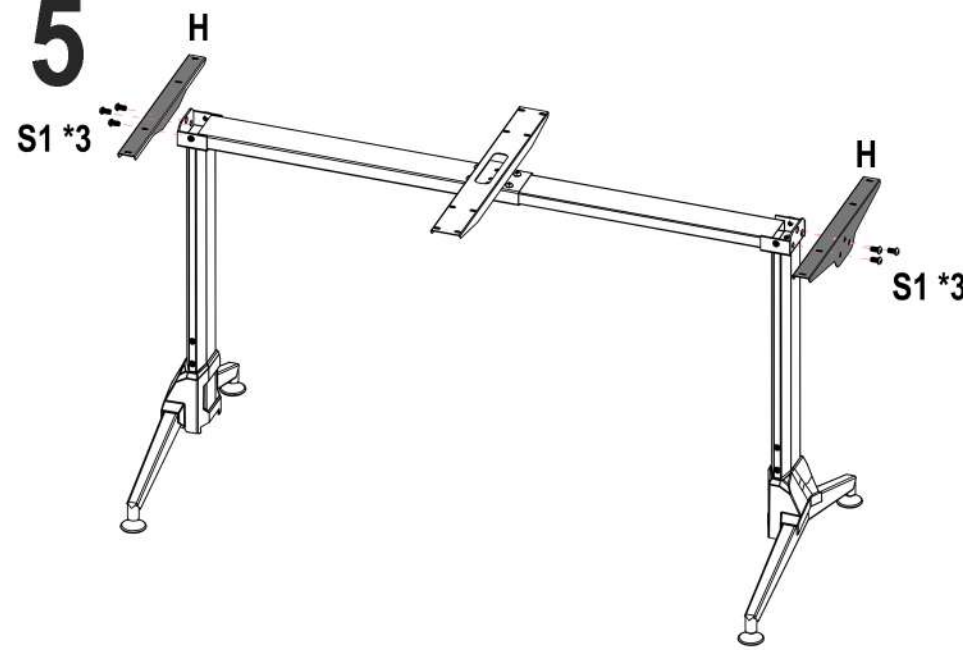
 Please make sure G part is perpendicular to E-F part.

4

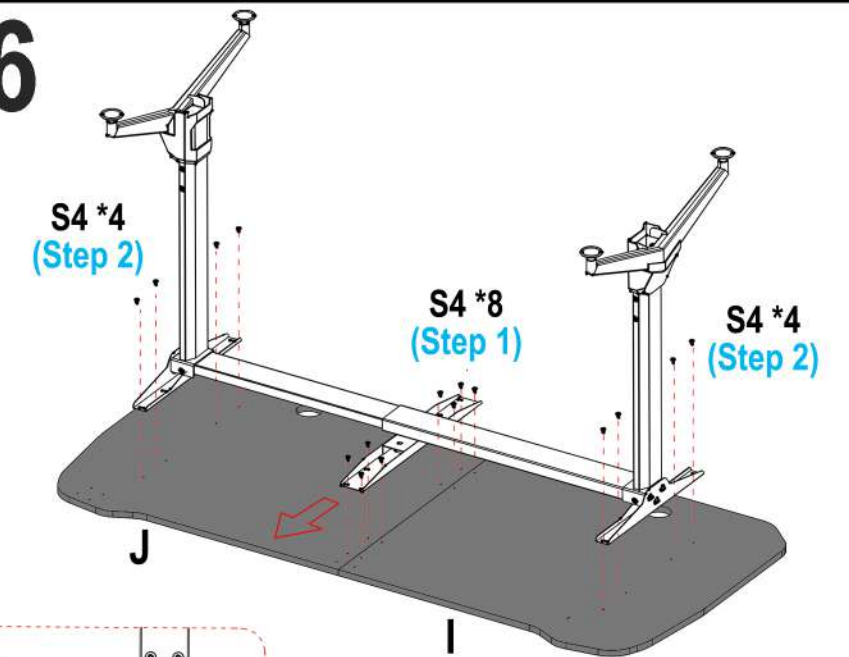


 First put all screws into the holes. Second tighten the screws. Third check all screws are tightened.

5

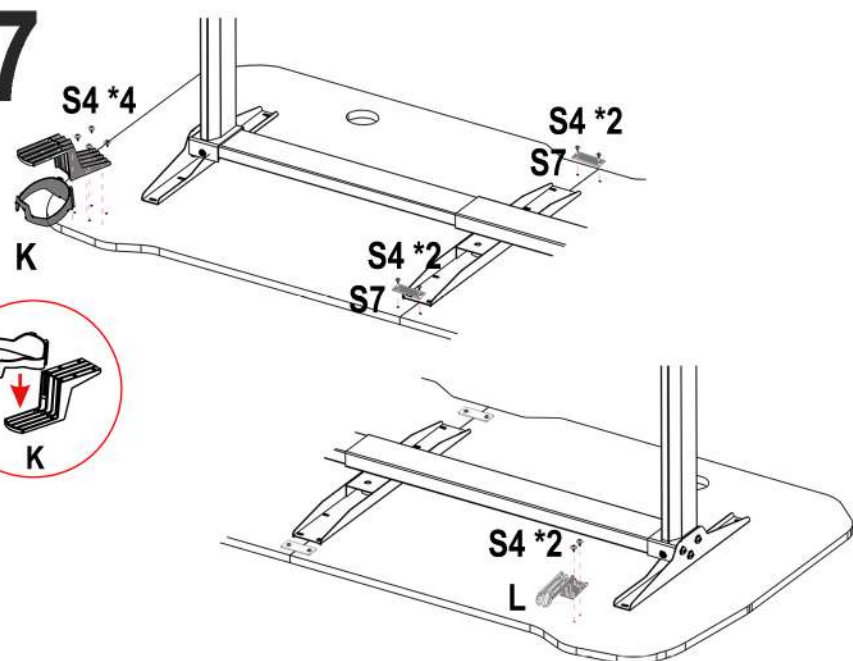


6

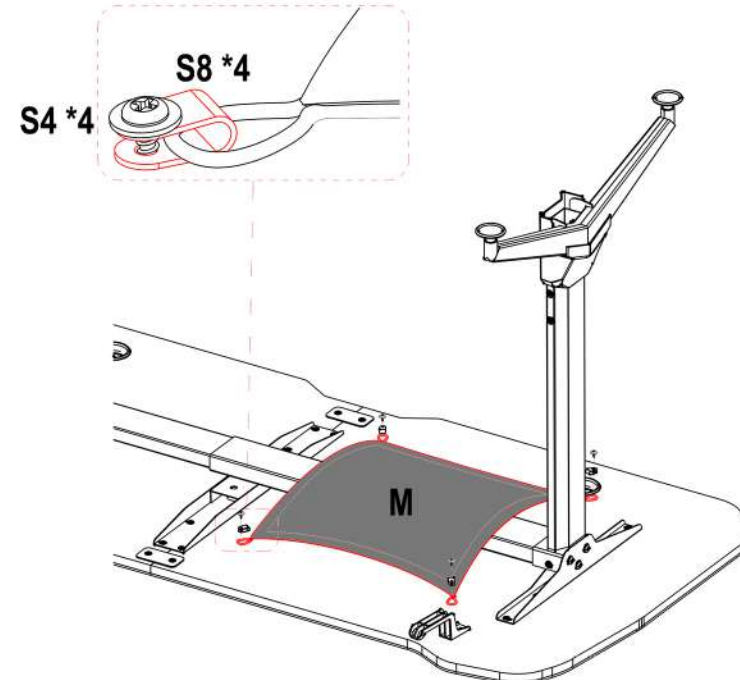


 Align the two tabletop boards first, Match the screw holes on the shelf with tabletop.

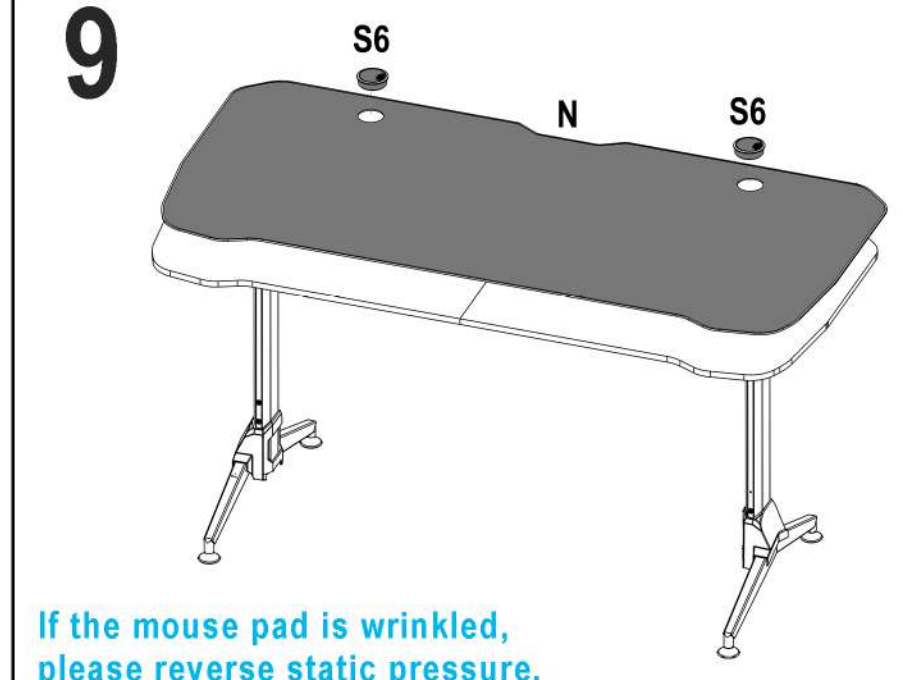
7



8



9



If the mouse pad is wrinkled, please reverse static pressure.